

LED WIRELESS SWITCH SERIES PRODUCT SERIES DATASHEET



LED Wireless Switch Series



88Light LED wireless switch is widely used in shopping mall, living room, Cafe and so on. With the 3M tape, the panel can be mounted easily anywhere. CE RoHS approved.

Applications:



Office



Residence



Exhibition hall



Warehouse



Shopping Mall



Restaurant

PRODUCT FEATURES

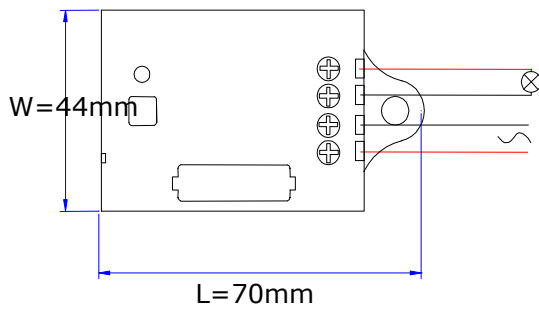
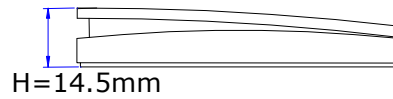
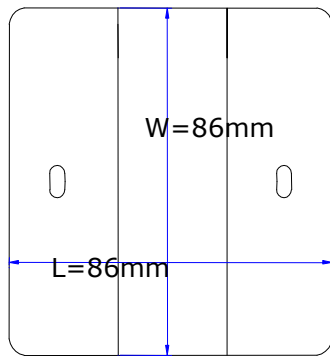
- Lightweight and slim, suitable for small spaces.
- With 3M tape for easy installation and screw installation options.
- Wireless, control panel battery free, easy to install anywhere and no electric shock occur.
- Long distance wireless, 20 meter indoor, 120 meter outdoor.
- Easy to match the control panel and controller.
- Wide range of input voltage from AC85-265V.
- Allow frequent on off and dimming function for option.
- Working temperature: -20 ~ +45°C



LED WIRELESS SWITCH SERIES
 PRODUCT SERIES DATASHEET



PRODUCT DIAGRAM



Product Name	Length ¹	Width	Height
88L-WS-1K/2K/3K-01	86mm	86mm	14.5mm
88L-WS-1A/5A/10A-01	70mm	44mm	30mm

Note 1: The dimension of the wireless switch doesn't change with the key qty and current.

LED WIRELESS SWITCH SERIES
PRODUCT SERIES DATASHEET



TECHNICAL DATA

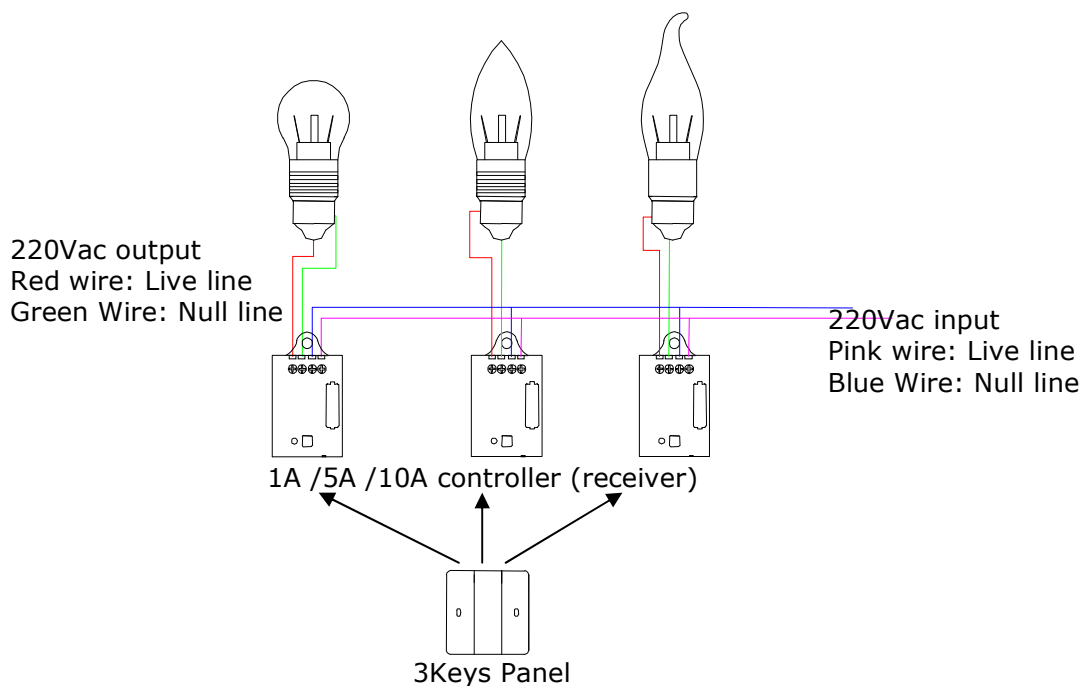
Electrical data ²:

Product Name	Input Voltage	Base	Keys Qty	Channel Qty	Dimmable [Y/N]	Max Power	IP grade
88L-WS-1K-01	0	Nop	1	2	N	0	IP40
88L-WS-1K-02	0	Nop	1	1	N	0	IP40
88L-WS-2K-01	0	Nop	2	2	N	0	IP40
88L-WS-3K-01	0	Nop	3	3	N	0	IP40
88L-WS-1A-01	AC85-260V	Screw ports	1	1	Y	150W	IP40
88L-WS-5A-01	AC85-260V	Screw ports	1	1	N	600W	IP40
88L-WS-10A-01	AC85-260V	Screw ports	1	1	N	1000W	IP40

Note: 2. Absolute ratings @ 25°C

PRODUCT INSTALLATION ^{4,5}

Electrical diagram drawing/matching.



Note 4: One wireless 86 panel can match a lot receiver (controller), the wireless switch no need battery.

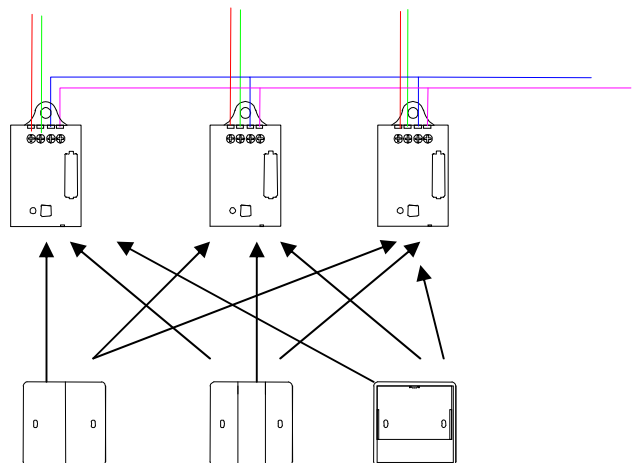
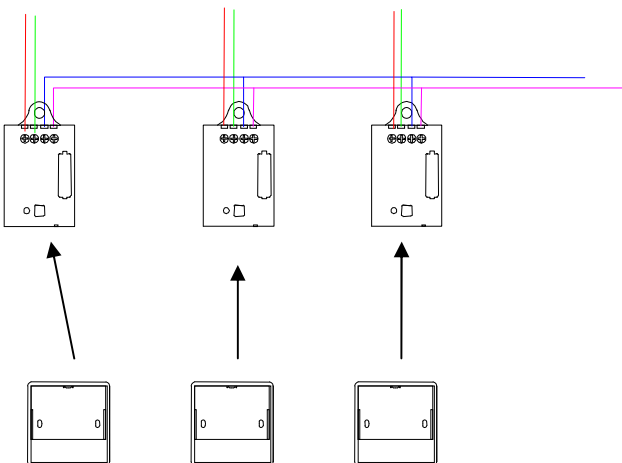
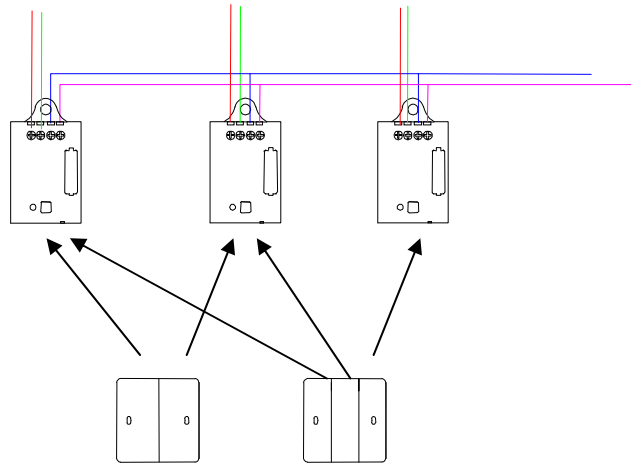
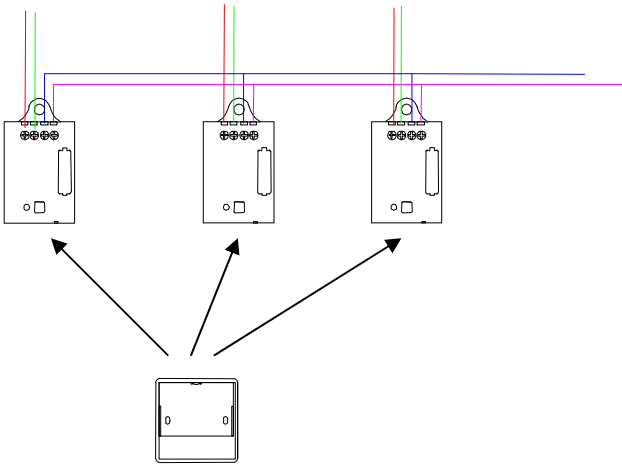
Note 5: One receiver (controller) can match max 10 Pcs wireless 86 panel.

LED WIRELESS SWITCH SERIES
PRODUCT SERIES DATASHEET



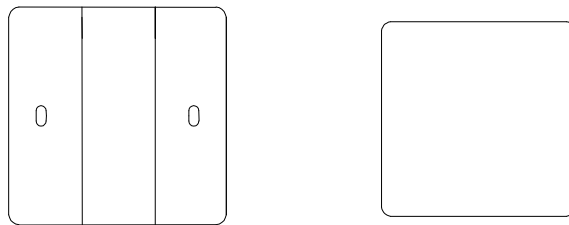
PRODUCT INSTALLATION 4,5

Electrical diagram drawing/matching.



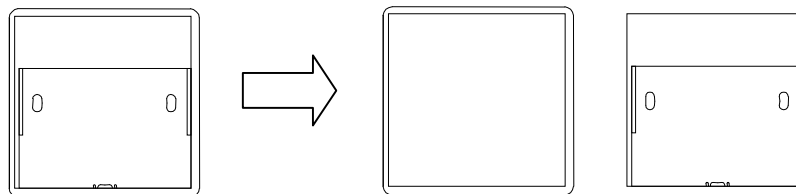
PRODUCT INSTALLATION ⁶

Mounting drawing---3M Tape installing.

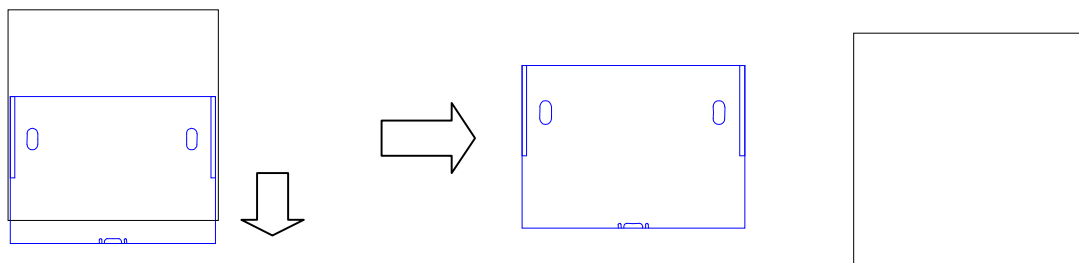


Place the 3M tape on the back of the panel,
then place the panel where needed.

Mounting drawing---screws installing (Key1).



Take out the border of the panel.

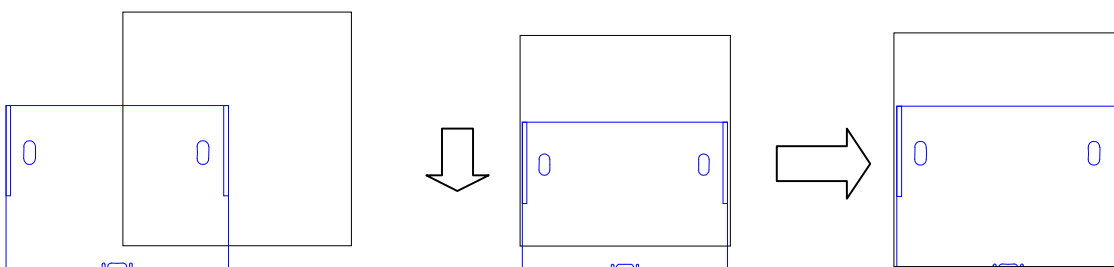


Slide down the stainless steel back plate and take out the plate, then place/fix the stainless steel back plate where needed.

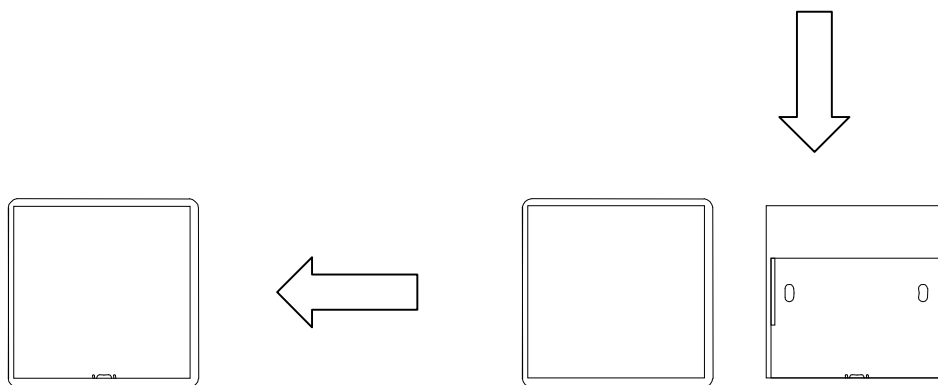
Note 6: All wireless panels and controller can be fixed by 3M tape.

PRODUCT INSTALLATION ⁷

Mounting drawing---screws installing (key1).



After fixed the stainless steel back plate, Place the wireless panel to the back plate and slide down the wireless panel to the bottom.

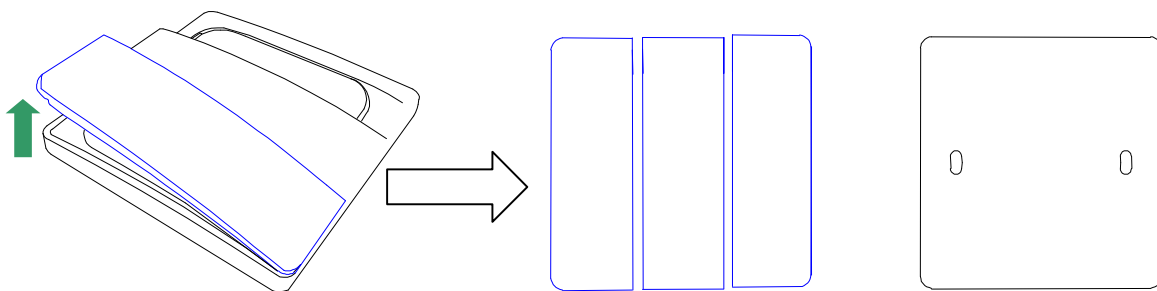


After placed the wireless panel and slide to the bottom, place the outer border to the wireless panel.

Note 7: If there is the stainless steel back plates please follow above key1 screw installing.

PRODUCT INSTALLATION ⁸

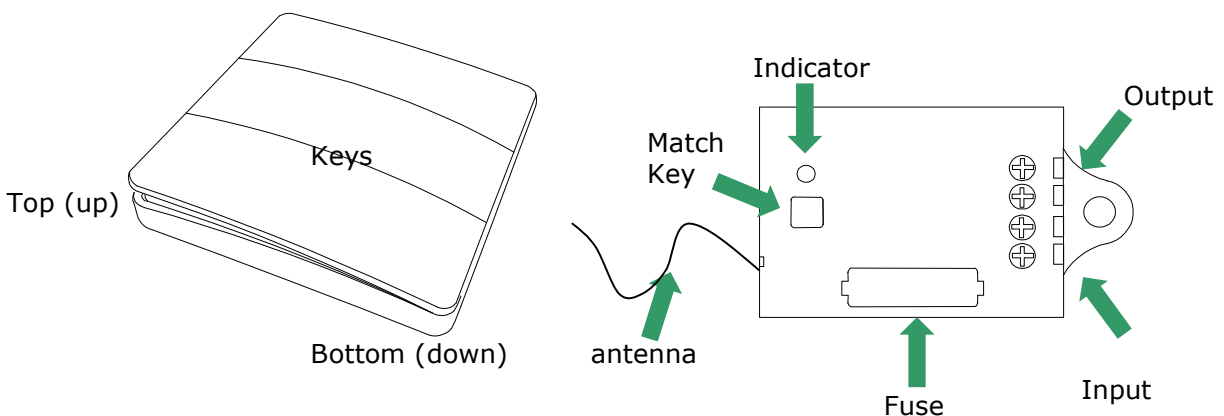
Mounting drawing---screws installing (Key3).



Lift up the key of the wireless panel and take out the key. Then place/fix the wireless panel where needed with screws. After fixed well, place back the keys to the wireless panel.

Note 8: If there is no stainless steel back plate and there is the screw hole on the back, please install the wireless panel follow key3.

Wireless panel Instructions





PRODUCT INSTALLATION

Settings ---Match.

1. Keep pressing the match key for about 3 seconds until the indicator begins to **flash slowly**. Then release the match key to enter the single matching state.
2. Press the key on wireless panel, the indicator will go out; it means the matching is successful.
3. If need to add more wireless panel to the controller, please repeat 1 and 2. But please notice that one controller only can match max 10pcs wireless panel at most.
4. Single double keys switch, please operate 1, and then press the double keys (up and down) quickly in about 0.5 seconds.
5. Keep pressing the match key for about 10 seconds until the indicator begin to flash fast then become slowly flash again and release the match key to open dimming function (if there is the dimming function).
6. For the dimmable receiver, please do 5 then press the key on wireless panel.

Settings --- Unmatched.

1. Please keep pressing the match key for more than 12 seconds until the indicator light goes out. It means the matching information has been deleted.

Settings --- Issue checking and solving

1. If there is no action (the controller doesn't work). Please check the wires connection first. Make sure the connection is correct.
2. Check the **Fuse**, if the fuse is good. If the fuse is damaged, please check that there is no short connection and the lamp is good, if no issue; replace the fuse with correct parameter fuse. (Fuse model : D5xL20mm; 250V2A for 150W, 250V3A for 600W and 250V5A for 1000W)
3. Check the matching, if the indicator flash one time when power on but the wireless panel can't controller the lamp, please rematch again.
4. If loaded too many lamps and overloaded, the Fuse will be damaged, please reduce lamps qty and replace Fuse.
5. Please don't Passover the fuse or use other wire instead of the fuse. This maybe damages the controller forever especially the electric relay inside.
6. Please don't install the controller where there is high temperature.
7. The receiver default state is power off (after matched and lost power).
8. If the receiver is in dimming function state the indicator always keep flash, when power on, it will light up slowly and get dark slowly after power off.
9. Don't cut out the antenna.
10. Other questions please contact with us or your agent.

LED WIRELESS SWITCH SERIES PRODUCT SERIES DATASHEET



SAFETY

1. **Always** consult a qualified, licensed electrician prior to the installation of this product.
2. **Always** pre-test your strip light assembly by connecting the strip to a power supply and ensure that all components are joined properly before installing.
3. It is recommended that adequate airflow and heat sink be taken into account in the application and installation of this product. Improper thermal management may lead to premature failure.
4. Exceeding the operating temperature values may damage components by reducing the products life and output, and impact color consistency.
5. Avoid voltage drop by using a dedicated line for each maximum power consumption line.
6. This product should be matched/tested before installing.
7. "Voltage drop" is a gradual lessening of power through a wire over a long distance.
8. The wireless panel and controller is only IP40, they can't be used underwater and somewhere too moisture.
9. The manufacturer rates each power supply for maximum power output at optimum thermal and voltage conditions. As with any power supply, true actual maximum continuous current output depends upon various environmental factors such as ambient temperature, line voltage fluctuations, and orientation that may affect heat dissipation. For optimum performance, make sure the load is between 50% and 80% of the total capacity of the power supply.

PACKING ⁹:

Product Name	Box Size(L×W×H)[mm]	Qty/Box [pcs]	Gross Weight [g]	Unit Weight [g]
88L-WS-1K/2K/3K-01	123x119x26	1	128	88
88L-WS-1A/5A/10A-01	94x73x40	1	96	70

Note 9: Package information is only for reference.

LED WIRELESS SWITCH SERIES
PRODUCT SERIES DATASHEET



OTHER 88Light PRODUCTS:

For more information about 88Light products, or to use our online energy saving calculation software please visit our website

www.88light.com

DISCLAIMER:

88Light reserves the right to modify the design of our products as part of the company's program of continuous improvement. 88Light cannot guarantee to match existing installed product for subsequent orders or replace the product exactly to match the product you are replacing in product appearance, color, or brightness. Specifications are subject to change without notice.