

LED DOWN LIGHTS
PRODUCT SERIES DATASHEET



LED Down lights PEN Series

88Light LED Down light PEN Seeries has been widely applied in: household lighting, business center, super market, office, hospital, bank, chain operation store, restaurant, hotel, elevator, subway, wedding photography, large exhibition engineering and so on.
As its easy installation, beautiful appearance also with high photosynthetic efficiency.



Applications:



Jewelry Store



Shopping Mall



Exhibition hall



Residence



Hotel



Living Room

PRODUCT FEATURES

- High power, high brightness for commercial lighting.
- Adopt CITIZEN/CREE/EPISTAR COB LED light source.
- Wide range of input voltage from AC200-240V (Normal Non-dimmable driver).
- Flicker less driver options.
- Direction adjustable: 360 degree in horizontal and 60 degree in vertical.
- No UV or IR radiation, No dark area, No Flickering to the eyes.
- Elegant profile with high CRI 80/90/95.
- Non-Dimmable/TRIAC Dimmable/0-10V Dimmable options.
- Beam angle options: 15/24/38 degree beam angle.
- Long lifespan up to 50000 Hours (based on 14 hours working every day).
- CE /RoHS Certificated.



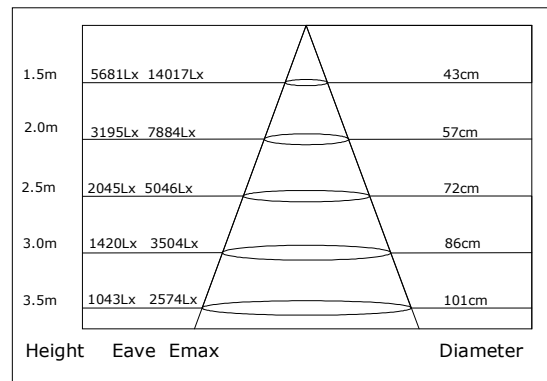
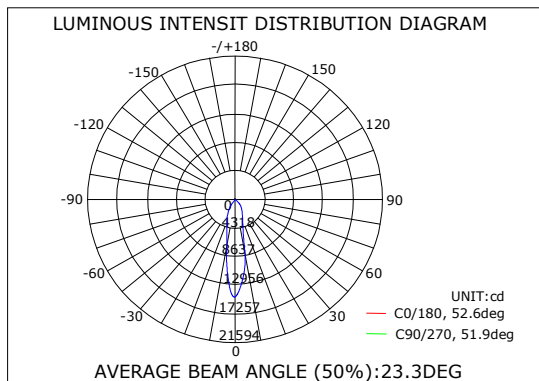
LED DOWN LIGHTS
PRODUCT SERIES DATASHEET



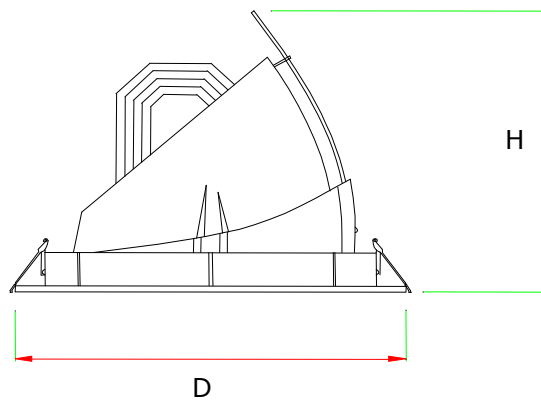
ILLUMINANCE DIAGRAM

Product Luminance:

35 Watts



PRODUCT DIAGRAM¹:



Product Name	D [mm]	H [mm]	H D Base(Hole size) [mm]
88L-DL-PEN-08-20W	230	180	210
88L-DL-PEN-08-30W	230	180	210
88L-DL-PEN-08-35W	230	180	210
88L-DL-PEN-08-40W	230	180	210
88L-DL-PEN-08-45W	230	180	210
88L-DL-PEN-08-50W	230	180	210

Note 1: the dimension of the product is only for reference, the tolerance of measurement of size intensity±2mm (diameter and length).

LED DOWN LIGHTS
PRODUCT SERIES DATASHEET



TECHNICAL DATA

Electrical characteristics^{2, 3}:

Product Name	Operating ⁴ Voltage [Vac]	Power [W]	Power Factor	LED Type	Material	Dimmable ⁴ [Y/N]	IP Grade
88L-DL-PEN-08-20W	220~240	20	>0.9	COB	Aluminum	N	IP44
88L-DL-PEN-08-30W	220~240	30	>0.9	COB	Aluminum	N	IP44
88L-DL-PEN-08-35W	220~240	35	>0.9	COB	Aluminum	N	IP44
88L-DL-PEN-08-40W	220~240	40	>0.9	COB	Aluminum	N	IP44
88L-DL-PEN-08-45W	220~240	45	>0.9	COB	Aluminum	N	IP44
88L-DL-PEN-08-50W	220~240	50	>0.9	COB	Aluminum	N	IP44

Note 2: Absolute ratings @ 25°C.

Note 3: Operating temperature -25~+45 °C, storage temperature -30~+80 °C.

Note 4: TRIAC dimmable driver input voltage is AC220-240V and for other brand/dimmable function, the input voltage range will be different.

Optical Characteristics^{2, 5}:

Product Name	Color	Color Temperature [°K]	Luminescence ⁵ [lm]	CRI (Ra)	Beam Angle [°]
88L-DL-PEN-08-20W-CW	Cool White	6500	2100	80/90/95	15/24/38
88L-DL-PEN-08-20W-NW	Nature White	4000	2000	80/90/95	15/24/38
88L-DL-PEN-08-20W-WW	Warm White	3000	1900	80/90/95	15/24/38
88L-DL-PEN-08-30W-CW	Cool White	6500	3100	80/90/95	15/24/38
88L-DL-PEN-08-30W-NW	Nature White	4000	3000	80/90/95	15/24/38
88L-DL-PEN-08-30W-WW	Warm White	3000	2800	80/90/95	15/24/38
88L-DL-PEN-08-35W-CW	Cool White	6500	3600	80/90/95	15/24/38
88L-DL-PEN-08-35W-NW	Nature White	4000	3500	80/90/95	15/24/38
88L-DL-PEN-08-35W-WW	Warm White	3000	3300	80/90/95	15/24/38
88L-DL-PEN-08-40W-CW	Cool White	6500	4200	80/90/95	15/24/38
88L-DL-PEN-08-40W-NW	Nature White	4000	4000	80/90/95	15/24/38
88L-DL-PEN-08-40W-WW	Warm White	3000	3800	80/90/95	15/24/38

Note 2: Absolute ratings @ 25°C.

Note 5: Tolerance of measurement of luminous intensity±8% and different CRI, the luminous will be different.

LED DOWN LIGHTS
PRODUCT SERIES DATASHEET



TECHNICAL DATA

Optical Characteristics^{2, 5}:

Product Name	Color	Color Temperature [°K]	Luminescence ⁵ [lm]	CRI (Ra)	Beam Angle [°]
88L-DL-PEN-08-45W-CW	Cool White	6500	4600	80/90	15/24/38
88L-DL-PEN-08-45W-NW	Nature White	4000	4500	80/90	15/24/38
88L-DL-PEN-08-45W-WW	Warm White	3000	4200	80/90	15/24/38
88L-DL-PEN-08-50W-CW	Cool White	6500	5200	80/90	15/24/38
88L-DL-PEN-08-50W-NW	Nature White	4000	5000	80/90	15/24/38
88L-DL-PEN-08-50W-WW	Warm White	3000	4700	80/90	15/24/38

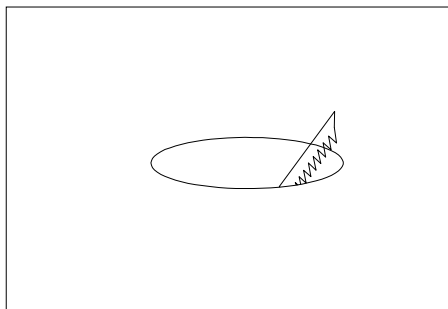
Note 2: Absolute ratings @ 25°C.

Note 5: Tolerance of measurement of luminous intensity±8% and different CRI, the luminous will be different.

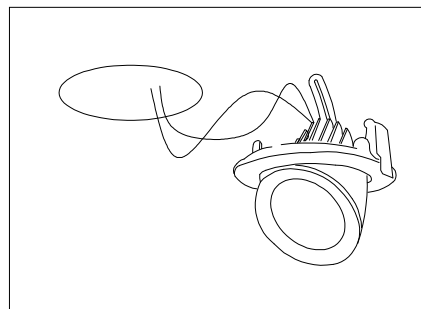
PRODUCT INSTALLATION

Precaution: Switch off power before doing any works.

Step 1: Cute a hole where the lamp will be installed with a saw.



Step 2: Connect the cable and test the lamp before place the lamp into the hole.



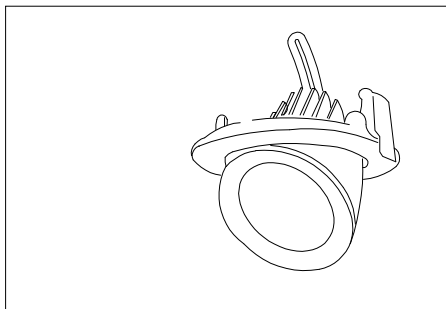
LED DOWN LIGHTS PRODUCT SERIES DATASHEET



PRODUCT INSTALLATION

Precaution: Switch off power before doing any works.

Step 3: Place the lamp into the Ceiling
And adjust the direction of the light.



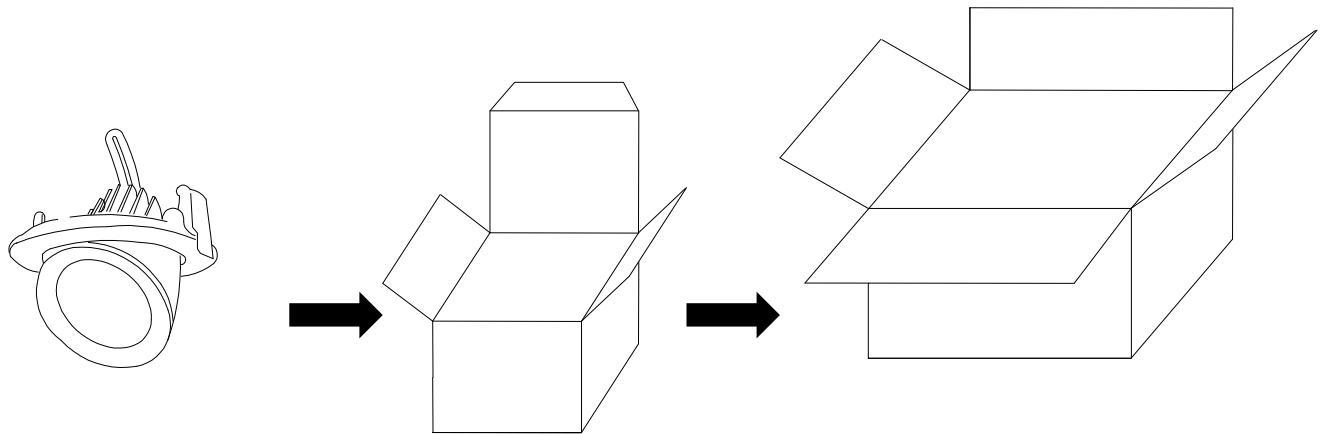
SAFETY

1. **Always** consult a qualified, licensed electrician prior to the installation of this product.
2. **Always** ensure that all components are joined properly before they are installed.
3. It is recommended that adequate airflow and heat sink be taken into account in the application and installation of this product. Improper thermal management may lead to premature failure.
4. If any doubt about the installation or use of this product, consult a competent electrician.
5. Exceeding the operating temperature values may damage LED chips by reducing the total lamp life and lumen output, and inversely impact color consistency.
6. Switch off power of the mains supply or respectively of the connection lead before doing any works.
7. Avoid voltage drops by using a dedicated line for each maximum power consumption line
8. The manufacturer rates each power supply for maximum power output at optimum thermal and voltage conditions. As with any power supply, true actual maximum continuous current output depends upon various environmental factors such as ambient temperature, line voltage fluctuations, and orientation that may affect heat dissipation. For optimum performance, make sure the load is between 50% and 80% of the total capacity of the power supply.
9. LED products are continuously being improved upon in ever-shortening manufacturing cycles. LED color temperature (kelvin), lumen output, and product appearance can change from order to order. Please note that variation in color temperature (kelvin) is commonly +/- 250k and brightness (lumens) is +/- 10%.
10. Indoor use only.

LED DOWN LIGHTS
PRODUCT SERIES DATASHEET



PACKING⁶:



Product Name	Box size	Carton size	Unit Weight	Qty/Carton	Gross Weight
88L-DL-PEN-08-20W	260x260x265mm	535x1130x275mm	1350g	10pcs	15.5kg
88L-DL-PEN-08-30W	260x260x265mm	535x1130x275mm	1350g	10pcs	15.5kg
88L-DL-PEN-08-35W	260x260x265mm	535x1130x275mm	1350g	10pcs	15.5kg
88L-DL-PEN-08-40W	260x260x265mm	535x1130x275mm	1350g	10pcs	15.5kg
88L-DL-PEN-08-45W	260x260x265mm	535x1130x275mm	1350g	10pcs	15.5kg
88L-DL-PEN-08-50W	260x260x265mm	535x1130x275mm	1350g	10pcs	15.5kg

Note 6: The package information is only for reference.

OTHER 88Light PRODUCTS:

For more information about 88Light products, or to use our online energy saving calculation software please visit our website

www.88light.com

DISCLAIMER:

88Light reserves the right to modify the design of our products as part of the company's program of continuous improvement. 88Light cannot guarantee to match existing installed product for subsequent orders or replace the product exactly to match the product you are replacing in product appearance, color, or brightness. Specifications are subject to change without notice.